

SUMMIT TELECOM

©2013 SUMMIT TELECOM ALL RIGHTS RESERVED

Web: www.summittelecomm.com

E-mail: sales@summittelecomm.com

summittelecomm@hotmail.com



Network Cabling System

Item Code: STNC

19"Rack Mount Cabinet



We are China leading manufacturer provides 19"Rack Mount Cabinet,Network Patch Panel,Keystone Jack,etc. in Network Cabling System.

Description:

Summit Telecom is a high performance rack cabinet and has different heights and colors

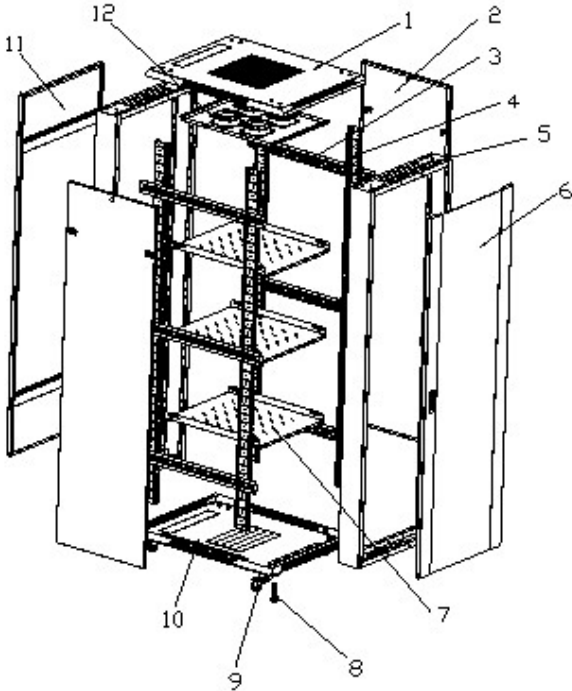
for choose. It is used for telecommunications, communications, security, broadcasting, and other 19 inch electronics etc. It plays vital role in the equipment room and office. The ST cabinet specialty is: the upper and lower parts of side door can be moved and locked. The front and back doors are high-density arc mesh, which could increase air circulation.

Features

- Range Of Medium Duty Cabinets Of Durable Modular Construction.
- With Tempered Glass Locking Doors section Doors, enable ventilation and reliable operation
- Several lockable cable entrances on top/bottom, size of the large hole at the bottom adjustable.
- The Frame Can Be Removed According To Requirement , U Was Marked In The Frame To Identify The Height.
- Bottom Base Can Fix The Cabinet , Cable Entry , Airflow , Avoiding Arts .
- Can Be Customized To Individual Requirements , Without Doors , Sides And/Or The Top Panel.
- Earthing Screw
- Adjustable Angles
- Cabinets Are Vented To Allow Cooling Material: SPCC cold rolled steel.
- Surface Treatment: Degreasing, Phosphoric, Powder coat.

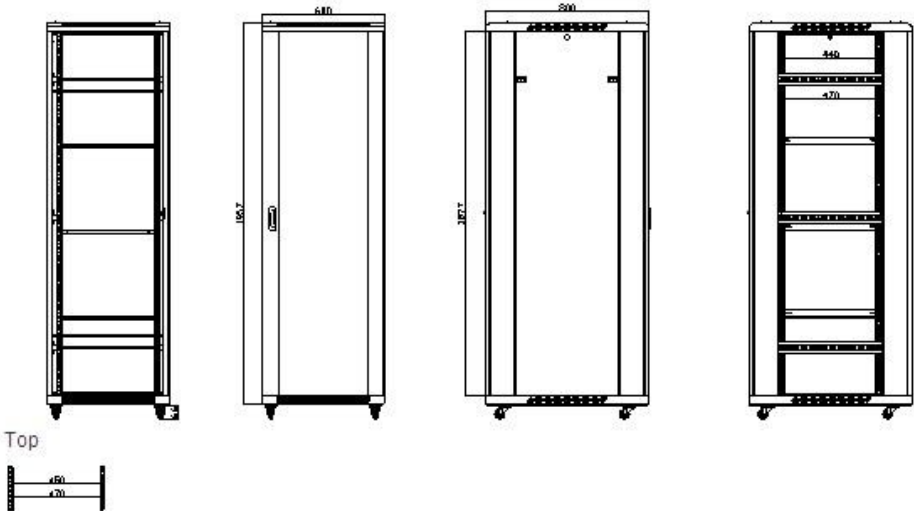
Structure:

1. top cover
2. side door
3. beam
4. vertical bracing
5. frame
6. front door
7. fixed shelf
8. feet
9. Castor With Bracket
10. bottom base
11. back door
12. Fan tray



Technical Specifications:

Dimension:



Item No	Without package(W×D×Hmm)	capacity	packing dimension(W×D×Hmm)
STNC -6618	600×600×905	18U	615×615×915
STNC -6818	600×800×905	18U	615×815×915
STNC -6918	600×900×905	18U	615×915×915
STNC -6A18	600×960×905	18U	615×975×915

STNC -6118	600×1000×905	18U	615×1015×915
STNC -6622	600×600×1085	22U	615×615×1090
STNC -6822	600×800×1085	22U	615×815×1090
STNC -6922	600×900×1085	22U	615×915×1090
STNC -6A18	600×960×1085	22U	615×975×1090
STNC -6118	600×1000×1085	22U	615×1015×1090
STNC -6627	600×600×1305	27U	615×615×1315
STNC -6827	600×800×1305	27U	615×815×1315
STNC -6927	600×900×1305	27U	615×915×1315
STNC -6A27	600×960×1305	27U	615×975×1315
STNC -6127	600×1000×1305	27U	615×1015×1315
STNC -6632	600×600×1525	32U	615×615×1540
STNC -6832	600×800×1525	32U	615×815×1540
STNC -6932	600×900×1525	32U	615×915×1540
STNC -6A32	600×960×1525	32U	615×975×1540
STNC -6132	600×1000×1525	32U	615×1015×1540
STNC -6637	600×600×1750	37U	615×615×1760
STNC -6837	600×800×1750	37U	615×815×1760
STNC -6937	600×900×1750	37U	615×915×1760
STNC -6A37	600×960×1750	37U	615×975×1760
STNC -6137	600×1000×1750	37U	615×1015×1760
STNC -6642	600×600×1970	42U	615×615×1980
STNC -6842	600×800×1970	42U	615×815×1980
STNC -6942	600×900×1970	42U	615×915×1980
STNC -6A42	600×960×1970	42U	615×975×1980
STNC -6142	600×1000×1970	42U	615×1015×1980
STNC -6647	600×600×2195	47U	615×615×2205
STNC -6847	600×800×2195	47U	615×815×2205
STNC -6947	600×900×2195	47U	615×915×2205
STNC -6A47	600×960×2195	47U	615×975×2205
STNC -6147	600×1000×2195	47U	615×1015×2205