

# SUMMIT TELECOM

©2013 SUMMIT TELECOM ALL RIGHTS RESERVED

Web: [www.summittelecomm.com](http://www.summittelecomm.com)

E-mail: [sales@summittelecomm.com](mailto:sales@summittelecomm.com)

[summittelecomm@hotmail.com](mailto:summittelecomm@hotmail.com)



## Fiber Optic Connection Components

Item Code: STFA-MTPS

### MTP/MPO Fiber Optic Adapter Shutter Type



Summit Telecom is a China leading manufacturer for MTP/MPO Adaptor Shutter Type, which offer up to 12 times the density of standard connectors.

#### Description:

The MTP/MPO Fiber Optic Adaptor is to provide MTP Patch cord to MTP patch cord Fiber connecting. MTP Optical Adaptors are flange type adaptors with plastic housing, both single mode and multimode ones available.

MTP Adaptors are used in high-density backplane and Printed Circuit Board (PCB) applications in data and telecommunications systems. They offer up to 12 times the density of standard connectors.

**Features:**

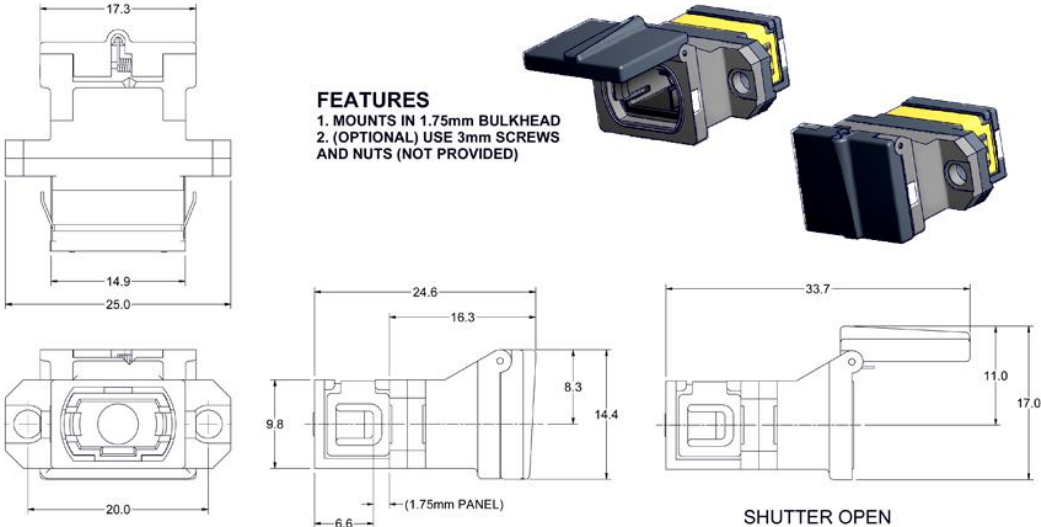
- Shutter design makes waterproof,dust-proof better.
- One piece adapter design maximizes coupling strength while minimizing debris generation
- All adapters compatible with MTP Elite® brand connectors and standard grade MTP® brand connectors
- Available in black, aqua, beige, green, blue and gray
- Supplied with either one or two thermoplastic non-debris generating dust plugs
- Compatible with all US Conec MTP® brand connectors in fiber counts ranging from 4 to 72
- Optimal coarse alignment to minimize pin to ferrule debris generation
- High Precision
- Easy Installation
- Low insertion loss
- Good exchangeability and repeatability

**Technical Specifications:**

Item	Insert Loss	Retentivity	Repeatability	Operating Temperature
SM/PC	≤0.5dB	100-300g	±0.5dB(500times)	-40,,f~ +80,,f
SM/APC	≤0.5dB	100-300g	±0.5dB(500times)	-40,,f~ +80,,f
MM/PC	≤0.5dB	100-300g	±0.5dB(500 times)	-40,,f~ +80,,f

- Array trunk cabling
- Array fiber to single fiber cassettes
- High fiber density card edge access
- Optical switching interframe connections
- Meets IEC Standard 61754-7
- Meets TIA/EIA 604-5 Type MPO
- Structured cabling per TIA-568-C
- Parallel Optics
- Optical Internetworking Forum (OIF) Compliant
- Infiniband Compliant
- 10G Fiber Channel Compliant
- 40G and 100G IEEE 802.3
- SNAP 12
- POP 4
- QSFP
- CXP

**Drawings:**



**Test:**

