

SUMMIT TELECOM

©2013 SUMMIT TELECOM ALL RIGHTS RESERVED

Web: www.summittelecomm.com

E-mail: sales@summittelecomm.com

summittelecomm@hotmail.com



Disconnection Module

Overvoltage and Overcurrent Protection Seires

3 Pole Protection Magazine

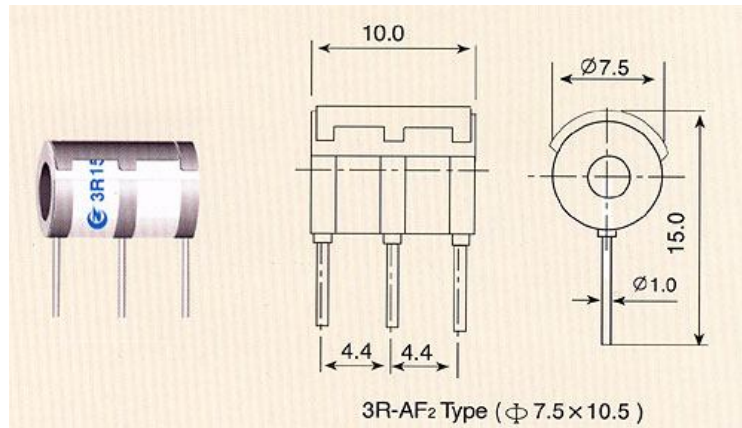
Item Code:STPM01



Features:

- The protection magazines are designed for the complete equipment of KR connection and disconnection module,for overvoltage protection functions.
- Could installed with 2 pole or 3 pole overvoltage arrester(GDT).
- Material of Plastic Parts:PBT/ABS/PC, Fair-Resistant
- Color:Gray base with gray body.
- With yellow Mark or dust cover.

Technical Specifications:



type *	DC spark-over voltage (100V/s) V	Impulse spark-over voltage (1KV/us) V	Impulse discharge current (10/1000us 300times) A	Impulse discharge current (8/20us 10times) KA	AC discharge current (50Hz 1s 5times)	Holdover voltage V	Insulation resistance Ω	Capacitance pF	Transverse voltage duration ns	
3R-75AL ₂	75±25%	≤600	50	10	10	/	≥10 ¹⁰	<1.5	≤200	
3R-90AL ₂	90±25%	≤600	50	10	10	/	≥10 ¹⁰	<1.5	≤200	
3R-150AL ₂	150±20%	≤700	100	10	10	80	≥10 ¹⁰	<1	≤200	
3R-230AL ₂	230 ⁺³⁰ ₋₄₀	I	≤800	100	10	10	135	≥10 ¹⁰	<1	≤200
		II	≤500	/						
3R-350AL ₂	350±20%	I	≤800	100	10	10	135	≥10 ¹⁰	<1	≤200
		II	≤600	/						
3R-470AL ₂	470±20%	I	≤900	100	10	10	135	≥10 ¹⁰	<1	≤200
		II	≤700	/						
3R-600AL ₂	600±20%	≤1200	100	10	10	135	≥10 ¹⁰	<1	≤200	

2 Pole Protection Magazine
Item Code:STPM02

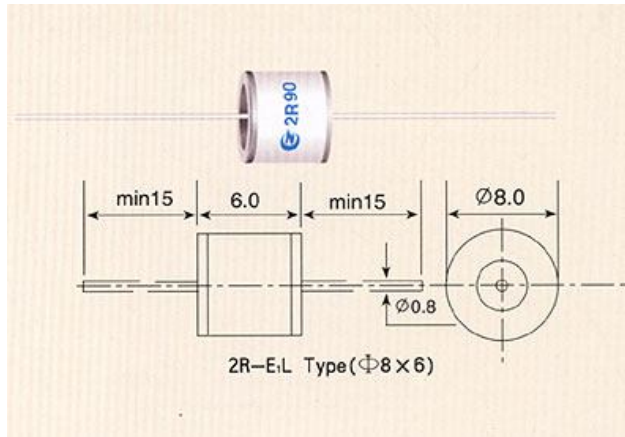


NINGBO SUMMIT TELECOM ALL RIGHTS RESERVED 2011

Features:

- The protection magazines are designed for the complete equipment of KR connection and disconnection module,for overvoltage protection functions.
- Could installed with 2 pole or 3 pole overvoltage arrester(GDT).
- Material of Plastic Parts:PBT/ABS/PC, Fair-Resistant
- Color:Gray base with gray body.
- With yellow Mark or dust cover.

Technical Specifications:



DC spark-over voltage (100V/s) V	Impulse spark-over voltage (1KV/us) V	Impulse discharge current (10/1000us 300times) A	Impulse discharge current (8/20us 10times) KA	AC discharge current (50Hz 1s 5times)	Holdover voltage V	Insulation resistance Ω	Capacitance pF	Transers e voltage duration ns
2R-230 E ₁ L	230±20%	≤800	100	20	20	150	≥10 ¹⁰	≤1

3 Pole Protection Magazine For High Band Module

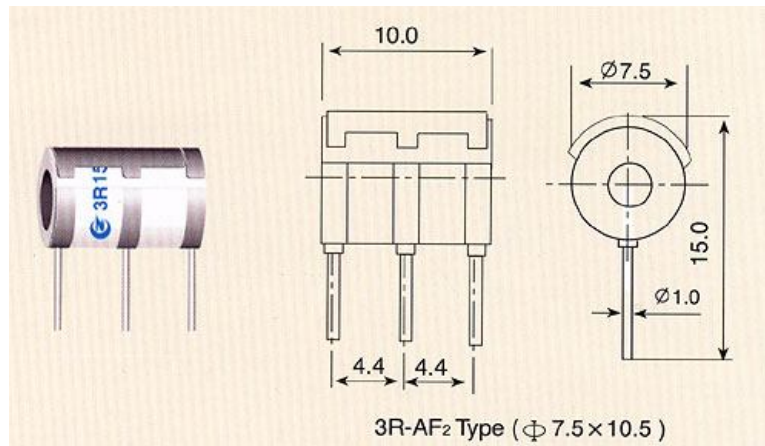
Item Code:STPMH



Features:

- The protection magazines are designed for the complete equipment of high band module,for overvoltage protection functions.
- Could installed 3 pole overvoltage arrester(GDT).
- Material of Plastic Parts:PBT/ABS/PC, Fire-Resistant
- Color:Gray base with gray body.
- With yellow Mark.

Technical Specifications:



type *	DC spark-over voltage (100V/s) V	Impulse spark-over voltage (1KV/us) V	Impulse discharge current (10/1000us 300times) A	Impulse discharge current (8/20us 10times) KA	AC discharge current (50Hz 1s 5times)	Holdover voltage V	Insulation resistance Ω	Capacitance pF	Transverse voltage duration ns	
3R-75AL ₂	75±25%	≤600	50	10	10	/	≥10 ¹⁰	<1.5	≤200	
3R-90AL ₂	90±25%	≤600	50	10	10	/	≥10 ¹⁰	<1.5	≤200	
3R-150AL ₂	150±20%	≤700	100	10	10	80	≥10 ¹⁰	<1	≤200	
3R-230AL ₂	230 ⁺³⁰ ₋₄₀	I	≤800	100	10	10	135	≥10 ¹⁰	<1	≤200
		II	≤500	/						
3R-350AL ₂	350±20%	I	≤800	100	10	10	135	≥10 ¹⁰	<1	≤200
		II	≤600	/						
3R-470AL ₂	470±20%	I	≤900	100	10	10	135	≥10 ¹⁰	<1	≤200
		II	≤700	/						
3R-600AL ₂	600±20%	≤1200	100	10	10	135	≥10 ¹⁰	<1	≤200	

Single Pair 5-Point Lightning Protector(Overvoltage And Overcurrent Protection)
Item Code:STPU



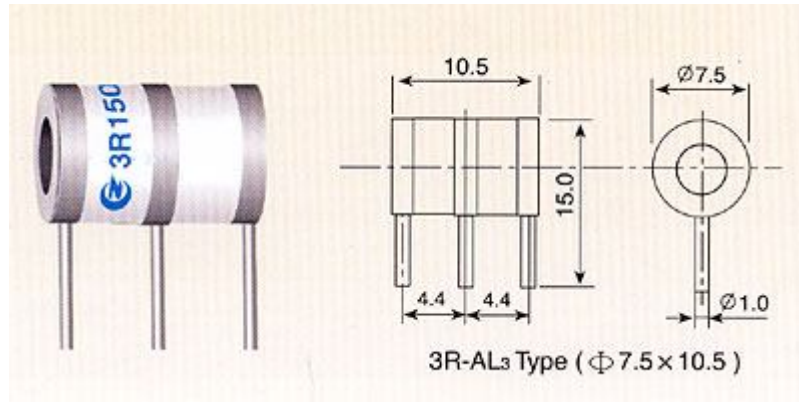
Features:

- The protection units are designed for the complete equipment of KR connection and disconnection module and swithing module,for overvoltage and overcurrent protection functions.
- Material of Plastic Parts:PBT/ABS/PC, Fair-Resistant
- Color:White,Orange.

Technical Specifications:

- Material for Cooper Parts: CuSn6.5-7.0P
- Plating For Sn: 1U—3U (Could Also Be plated With Silver)
- Max Operation Voltage:(a/b-e, a-b): 180V
- Max Operation Currenry:(a/b-e, a-b)@25C: 120Ma
- DC Spark Over-Voltage [Arresters@100V/s](#) (a/b-e, a-e): 230V+-20%
- Max Output [Voltage@1](#) KV/Mju S(a/b-e,a-e): Less Than 350V Or Less Than 450V
- Nominal Arrester Surge Currenry:(8/20 Mju S, a/b-e): 5 a_{rms}
- Insurance Resistance For [Arrestor@100V](#) DC: More Than 1000 M Ohm
- Nominal De-Coupling Resistance(a-a'/b-b')@25C: 10 Ohm+-20%
- Max Trip Currenry, PTC@V_{max}=230V_{rms} : 1 a_{rms}
- Capacitance(1 MHz/1V_{rms},a/b-e,a-b): 50pF
- Operation Temperature: -20C---+60C
- Storage Temperature: -40C---+80C

Arrester(GDT)



type *	DC spark-over voltage (100V/s) V	Impulse spark-over voltage (1KV/us) V	Impulse discharge current (10/1000us 300times) A	Impulse discharge current (8/20us 10times) KA	AC discharge current (50Hz 1s 5times)	Holdover voltage V	Insulation resistance Ω	Capacitance pF	Transverse voltage duration ns
3R-230AL ₃	230 ⁺³⁰ ₋₄₀	I ≤800	100	10	10	135	≥10 ¹⁰	<1	≤200