

# SUMMIT TELECOM

©2013 SUMMIT TELECOM ALL RIGHTS RESERVED

Web: [www.summittelecomm.com](http://www.summittelecomm.com)

E-mail: [sales@summittelecomm.com](mailto:sales@summittelecomm.com)

[summittelecomm@hotmail.com](mailto:summittelecomm@hotmail.com)



---

## STB Module

Item Code: ST VX-TBL

### VX Terminal Box   STB Box   DRP Box

#### Description:

- The box consists of a body and cover which house VX modules on a DIN rail. Provision for wall mounting is incorporated in the body of the box.
- The lid has various opening positions, which can be selected according to the amount of working space available, and is also fitted with a seal to limit water entry.
- Grommets are provided for dropwire and pair access.
- The box locking mechanism is mounted in the base and is effective on closing the box; to open the box again a special key or a screwdriver is required depending upon the lock type.
- The connection modules are designed for mounting on a standard DIN rail and can therefore be mounted in a variety of housings in whatever quantities are required. The small footprint (2 cm wide) ensures a compact product.
- This is used in terminating cables of secondary telephone networks to the cable pairs of subscriber lines.
- The VX-connection module provides a connection point between an exchange-side cable pair and a distribution pair. It incorporates a 5-point plug-in module to provide continuity and a range of other options. Removal of the plug-in module does not disturb wire connections but makes contacts to them available for testing to both sides of the network.
- It is especially recommended for:
  - a) Outdoor connections where the environmental conditions are extremely aggressive
  - b) Terminations where user development characteristics require future flexibility in terms of the type of protection or filtering capabilities.

**Technical characteristics:**

Characteristics of the contact connection  
Connector of the distributive wire

|   |  |
|---|--|
| Range of the section:   | diameter 0,4... 1,2 mm   |
| Diameter on the isolation:  | it is maximal 5 mm   |
| The current-response characteristics:   | 20 A (10 A on each conductor) during not less than 10 min, without the deformation of the module |
| Insulation resistance *   |  |
| “Dry” atmosphere:   | $> 10^{12}$ Ohm  |
| “Moist” atmosphere (standard ASTM Of d618, procedure F):  | $> 10^{12}$ [Om]   |
| Salt fog: (standard ASTM Of b117)   | $> 10^{10}$ Ohm  |
| Immersion beside the water: (15 days before 3% solution Of naCl)                                | $> 10^{10}$ 0[m]   |
| The contact resistance  |  |
| R of material + R of the contact cross connection + by R of the contact connection of the wires | $< 10$ m   |
| Increase in the contact resistance  |  |
| After climatic testings:  | $< 2,5$ m  |
| After 50 connections - turning offs:  | $< 2,5$ m  |
| Dielectric strength:  | $> 3$ kV of direct current during 1 minute   |

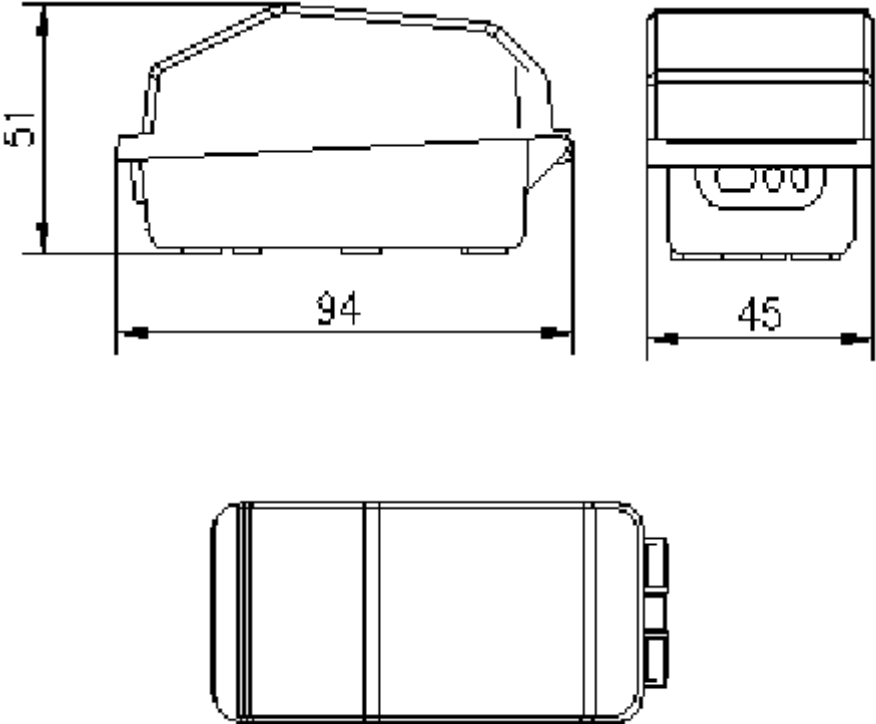
**Mechanical characteristics:**

|                              |  |
|------------------------------|--|
| Base                         | Polycarbonate RAL 7035                         |
| Cover                        | Polycarbonate RAL 7035                         |
| Cable grommet                | EPDM   |
| Dropwire grommet             | Thermoplastic Rubber                           |
| Pair/drop wire housing screw | Special Passivate Direct+Lacquered Zamac Alloy |
| Drop wire housing body       | Transparent Polycarbonate                      |
| Body                         | V-0 glass-fiber reinforced polycarbonate       |

**1 Pair VX Terminal Box**  
**Item Code: ST VX-TBL-1P**



**Sizes:**



**2 Pair VX Terminal Box**  
**Item Code: ST VX-TBL01-2P**



NINGBO SUMMIT TELECOM ALL RIGHTS RESERVED 2011



NINGBO SUMMIT TELECOM ALL RIGHTS RESERVED  
2011

Item Code: ST VX-TBL02-2P



NINGBO SUMMIT TELECOM ALL RIGHTS RESERVED 2011

Item Code: ST VX-TBL03-2P



NINGBO SUMMIT TELECOM ALL RIGHTS RESERVED 2011

**4 Pair VX Terminal Box**  
**Item Code: ST VX-TBL01-4P**



NINGBO SUMMIT TELECOM ALL RIGHTS RESERVED 2011



NINGBO SUMMIT TELECOM ALL RIGHTS RESERVED 2011

Item Code: ST VX-TBL02-4P



6 Pair 12 Pair VX Terminal Box

Item Code: ST VX-TBL-6P

ST VX-TBL-12P



**10 Pair VX Terminal Box**

**Item Code: ST VX-TBL01-10P**



NINGBO SUMMIT TELECOM ALL RIGHTS RESERVED 2011

**Item Code: ST VX-TBL02-10P**



NINGBO SUMMIT TELECOM ALL RIGHTS RESERVED 2011





NINGBO SUMMIT TELECOM ALL RIGHTS RESERVED 2011

**Item Code: ST VX-TBL03-10P**



NINGBO SUMMIT TELECOM ALL RIGHTS RESERVED 2011

**20 Pair VX Terminal Box**  
**Item Code: ST VX-TBL-20P**



NINGBO SUMMIT TELECOM ALL RIGHTS RESERVED 2011

Item Code: ST VX-TBL-30P



NINGBO SUMMIT TELECOM ALL RIGHTS RESERVED 2011